

PMF SERIES

A full range of pyranometer mounting fixtures, for all Hukseflux pyranometers

Hukseflux offers an accessory range of practical brackets for mounting pyranometers. PMF01 is a metal bracket that helps mounting a pyranometer on a vertical mast, horizontal crossarm, flat wall or a fence. It allows for horizontal as well as tilted (Plane of Array) orientation, in all climates and weather conditions. With its small footprint, in particular when combined with small footprint pyranometers such as SR30 and SR15, PMF01 reduces snow build-up; snow will simply drop off. Model PMF02 enables a setup of two pyranometers, one horizontal, the other in POA; ideal for PV monitoring. PMF01 and PMF02 are compatible with all Hukseflux pyranometers. With the ventilation mounting adapter VMA01, VU01 ventilated pyranometers can also be installed on PMF01.



Figure 1 PMF01 pyranometer mounting fixture



Figure 2 PMF01 pyranometer mounting fixture can be used for easy installation of a pyranometer, in this case SR30, in Plane of Array for PV system performance monitoring and meteorological applications

Introduction

Hukseflux offers a new range of practical pyranometer mounting fixtures. PMF series brackets allow for easy installation of Hukseflux pyranometers in all climates and weather conditions: on a vertical mast, a horizontal crossarm, a wall, a fence, in Plane of Array (POA) in single or dual setup, with ventilation unit or without. You name it!

PMF01

PMF01 is a practical metal bracket that helps mounting a pyranometer on a vertical mast, horizontal crossarm, flat wall or a fence. It allows for horizontal as well as tilted (Plane of Array) orientation. The use of PMF01, compatible with all Hukseflux pyranometers, is easy. Its spring-loaded central bolt allows easy mounting and levelling of pyranometers. With its small footprint, in particular when combined with small footprint pyranometers such as SR30, PMF01 reduces problems with snow build-up; snow will simply drop off.

PMF02

PMF02 enables a setup of two pyranometers, of which one in POA, mounted to a surface or fence; ideal for PV system performance monitoring according to the latest IEC standards.

VMA01 option for PMF01

VMA01 is a ventilation mounting adapter allowing installation of VU01 ventilation unit with a suitable Hukseflux pyranometer on PMF01.

Advantages

- quick installation
- easy levelling using spring-loaded bolt
- for mounting pyranometers on horizontal and vertical tubes, on platforms, both horizontal and in Plane of Array

Suggested use

- meteorological observations
- PV monitoring

PMF series design

PMF series is a range of robust and versatile pyranometer mounting fixtures, made of anodised aluminium. PMF01's small footprint and 0 to 90 ° tilt angle ensure quick installation, horizontal or in Plane of Array, on either a vertical mast, horizontal crossarm or on a platform, in any climate and weather. Its spring-loaded bolt allows easy mounting and levelling of all Hukseflux pyranometers. With the addition of VMA01, a VU01 ventilation unit can also be mounted on PMF01. PMF02 is uniquely designed for PV system performance monitoring installations of two pyranometers, one in POA.

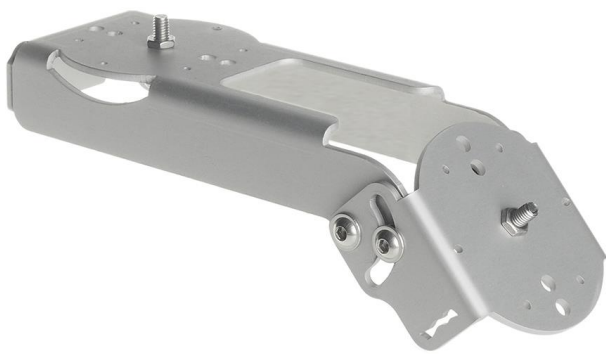


Figure 3 PMF02 for mounting 2 pyranometers, 1 in POA

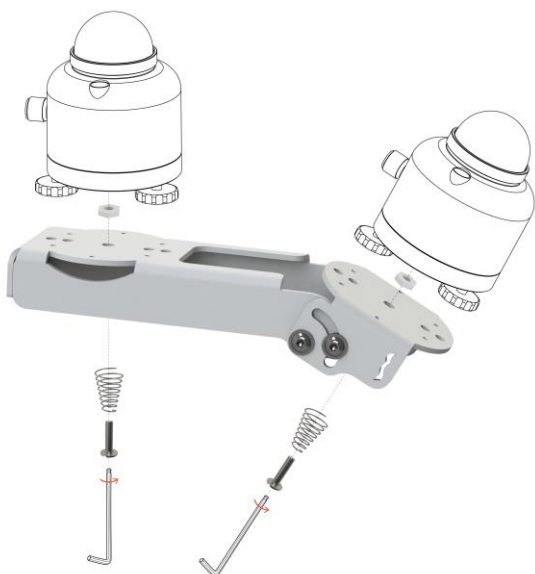


Figure 4 the PMF series manual provides easy-to-use instructions on installations with PMF series brackets

PMF series specifications

PMF01

Instrument compatibility	SR30, SR25, SR22, SR20, SR15, SR12, SR11, SR05, SR03, or LP02 pyranometer; SR05 ball levelling diameter 27 to 60 mm
Tube compatibility	0 to 90 °
Tilt angles	anodised aluminium
Material	bracket;
Included parts	1 x M6 central spring loaded bolt; 4 x M5 bolt; 2 x tube clamp

PMF02

Instrument compatibility	2 x SR30, SR25, SR22, SR20, SR15, SR12, SR11, SR05, SR03, and LP02 pyranometers; SR05 ball levelling 0 to 90 °
Tilt angles	anodised aluminium
Material	bracket;
Included parts	2 x M6 central spring loaded bolt; 8 x M5 bolt

VMA01

Instrument compatibility	VU01 ventilated pyranometer + PMF01
Material	anodised aluminium
Included parts	VMA01 mounting adapter plate; 2 x M5 bolt + nut
Other parts needed	2 x M5 bolt + nut included with VU01



Figure 5 VMA01 mounting adapter enables mounting of a VU01 ventilated pyranometer on PMF01



Figure 6 top to bottom: PMF01, PMF02, VMA01+PMF01

Table 1 overview of versions in PMF series

VERSIONS OF PMF SERIES

PMF01	pyranometer mounting fixture, for all Hukseflux pyranometer models, for 1 x pyranometer, horizontal or tilted
PMF02	dual pyranometer mounting fixture, for all Hukseflux pyranometer models, for 1 x horizontal and 1 x tilted pyranometer
VMA01	ventilation mounting adapter for PMF01, for 1 x VU01 ventilated pyranometer, horizontal or tilted

Other Hukseflux mounting options:

There are other mounting options available for SR30, SR15 and SR05. They allow for simplified mounting, levelling and instrument exchange on a flat surface or a tube.



Figure 7 alternative mounting options are offered

See also

- **SR30** and **SR15** pyranometers with spring-loaded and tube levelling mount
- **SR05** with ball levelling and tube mount
- **VU01** ventilation unit
- view our complete **range of solar sensors**

About Hukseflux

Hukseflux Thermal Sensors offers measurement solutions for the most challenging applications. We design and supply sensors as well as test & measuring systems, and offer related services such as engineering and consultancy. Hukseflux sensors, systems and services are offered worldwide via our office in Delft, the Netherlands and local distributors.

Interested in this product?
E-mail us at: info@hukseflux.com